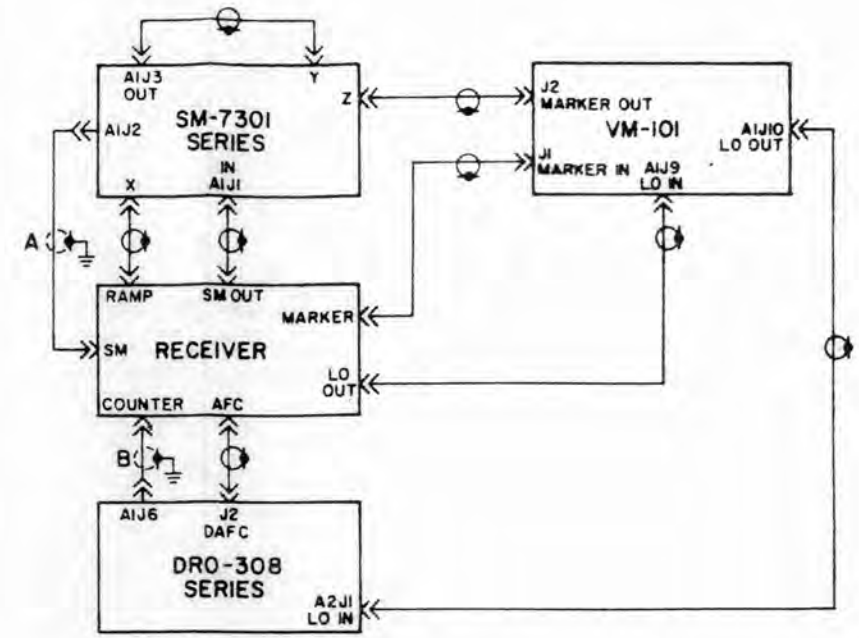
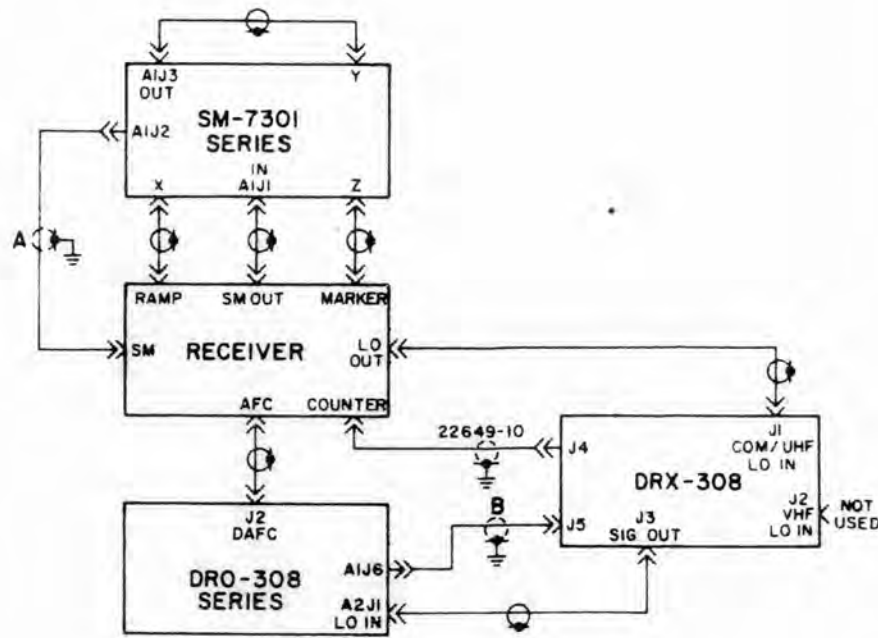
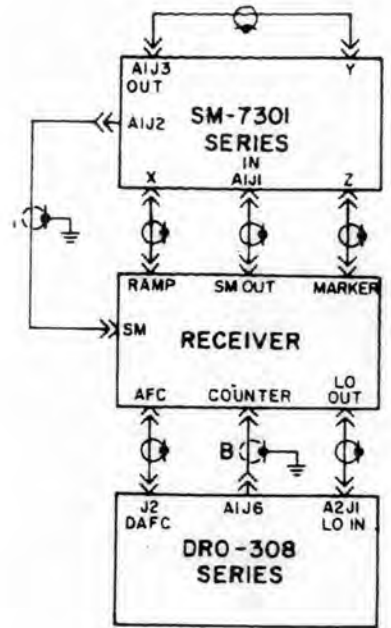
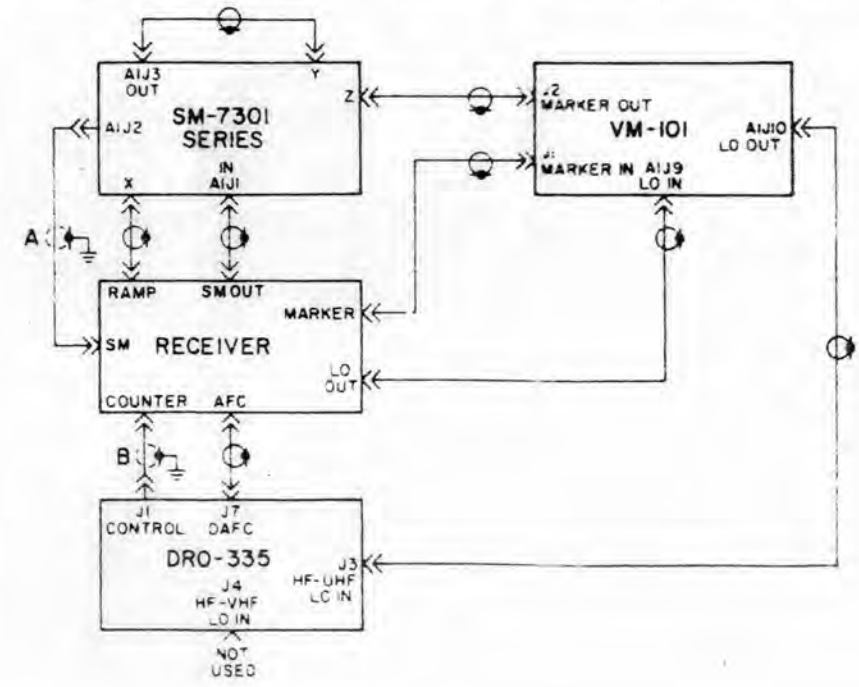
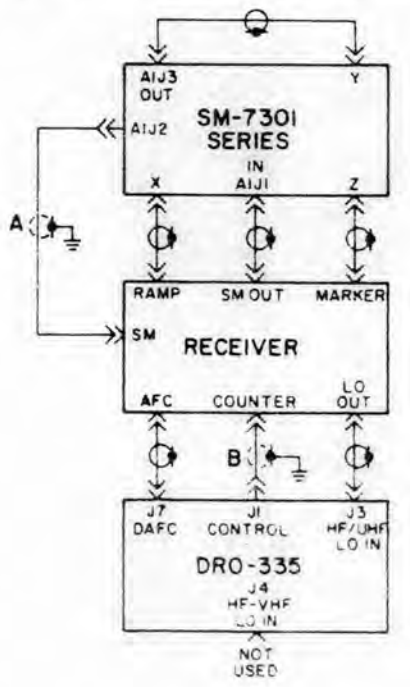
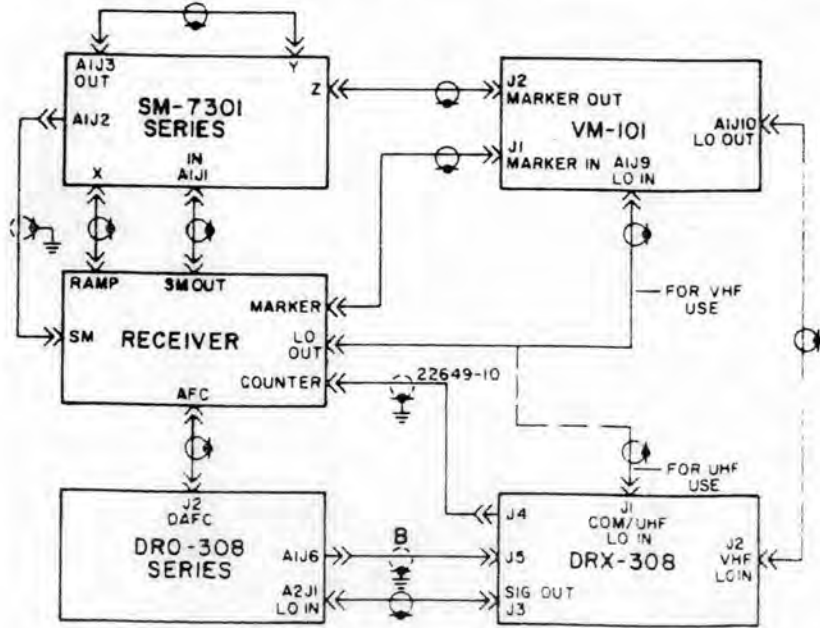


VARIABLE EQUIPMENTS	CABLE PART NOS.				
	2660-4	24183-1			
SM-730I	A				
SM-730IA	A				
SM-730IA-2	A				
SM-730IA-3	A				
SM-730IB	A				
SM-730IB-2	A				
SM-730IB-3	A				



VARIABLE EQUIPMENTS	CABLE PART NOS.				
	2661-8	24182-1	23927-1		
DRO-308	B				
DRO-308A	B				
DRO-335		B		Z	



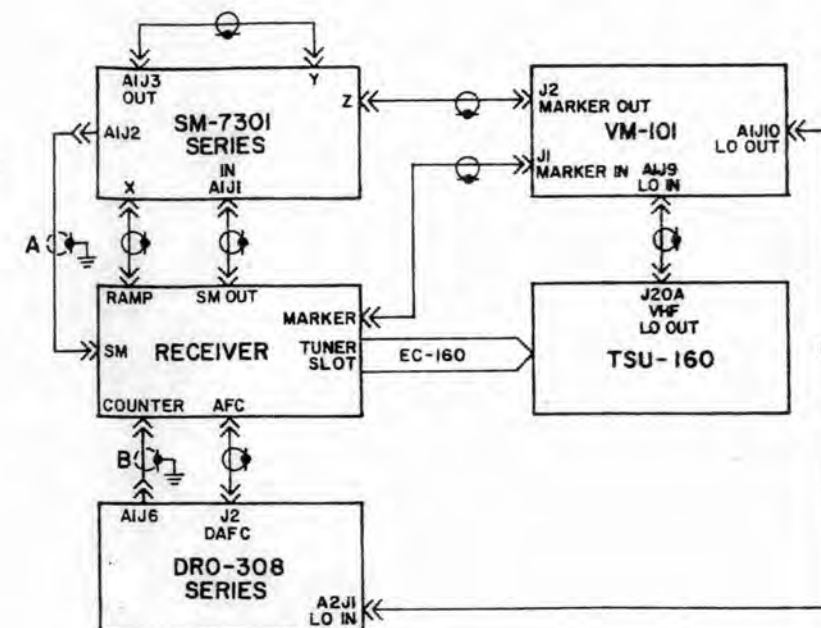
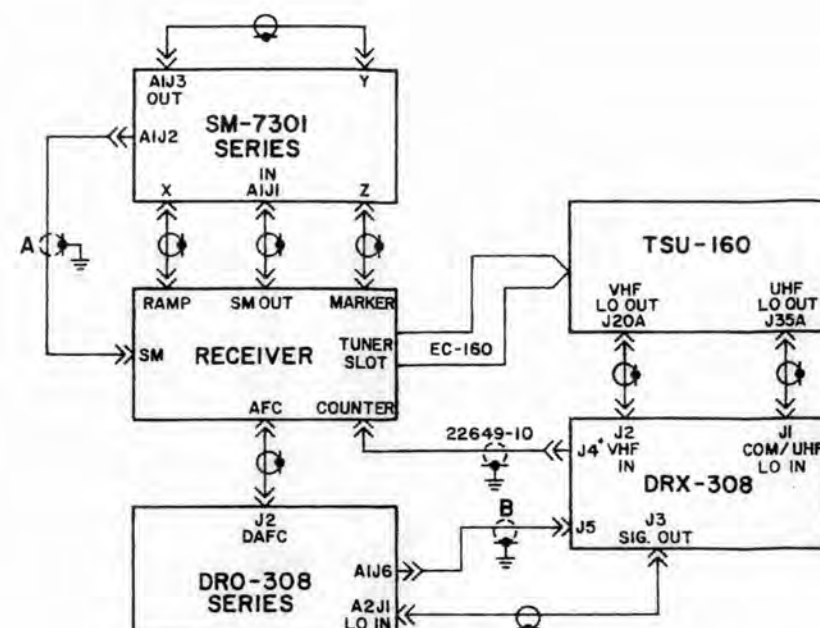
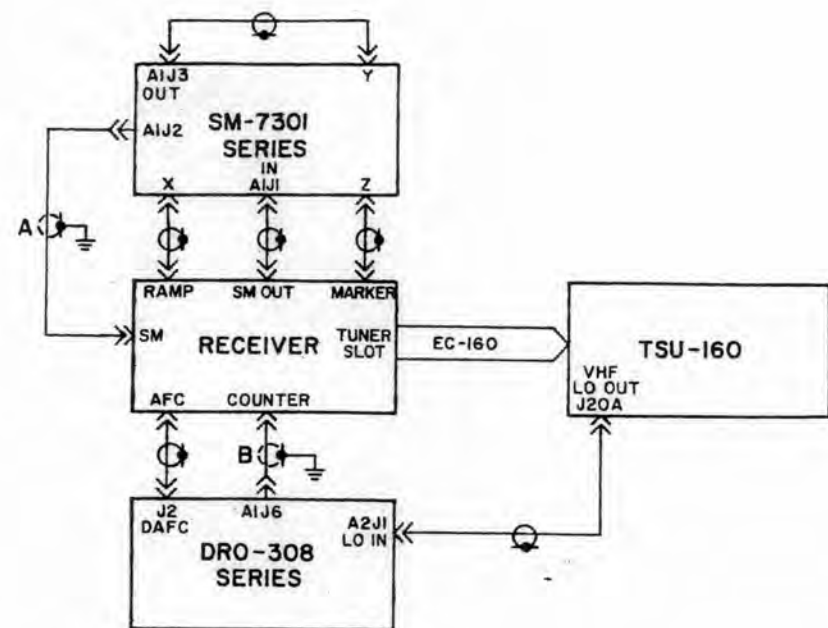
NOTES
1 ALL COAXIAL CABLES SHALL BE PART NO. 7122 65 1

Change I 10/15/76

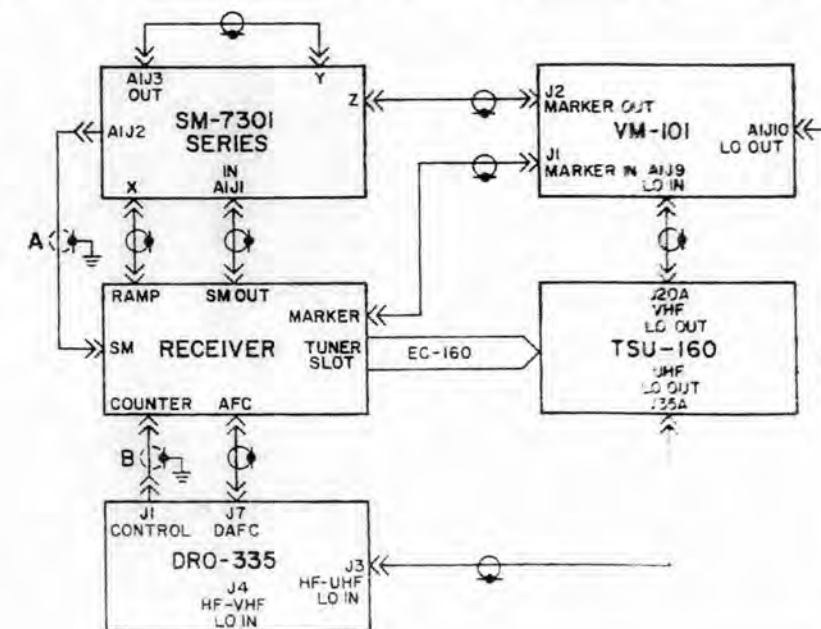
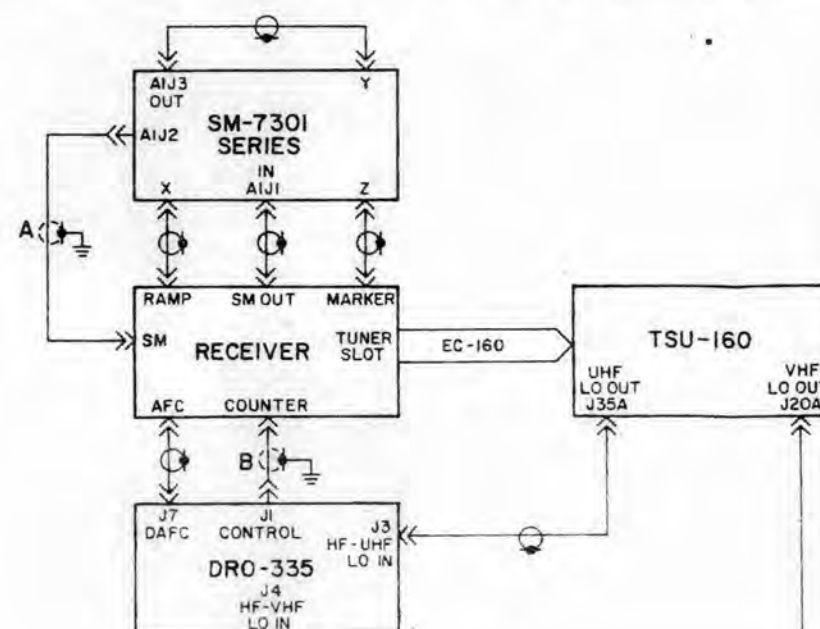
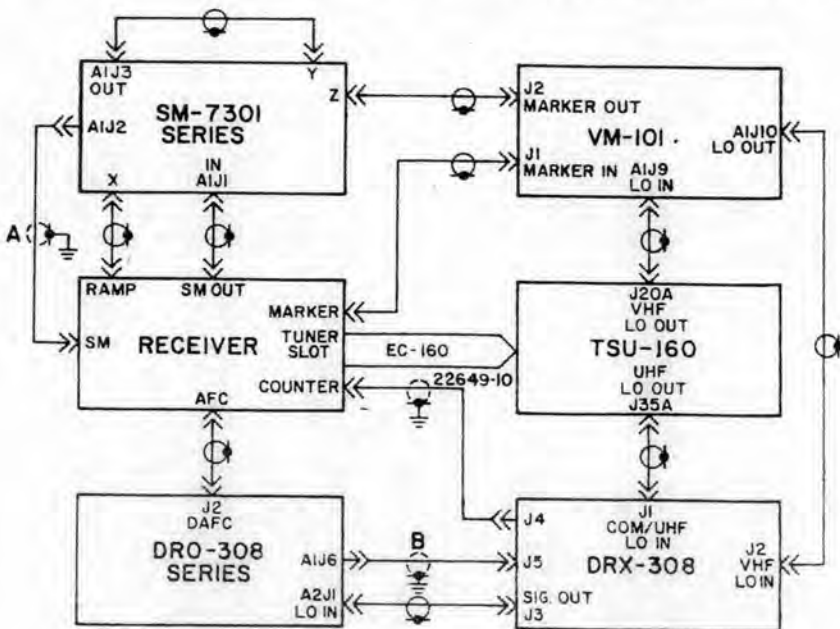
Figure 2-1A. RS-166 System Interconnection Diagrams, Sheet 1 of 4.

Courtesy of <http://BlackRadios.terryo.org>

VARIABLE EQUIPMENTS	CABLE PART NOS.			
	22650-4	24153-1		
SM-7301	A			
SM-7301A	A			
SM-7301A-2	A			
SM-7301A-3	A			
SM-7301B	A			
SM-7301B-2	A			
SM-7301B-3	A			

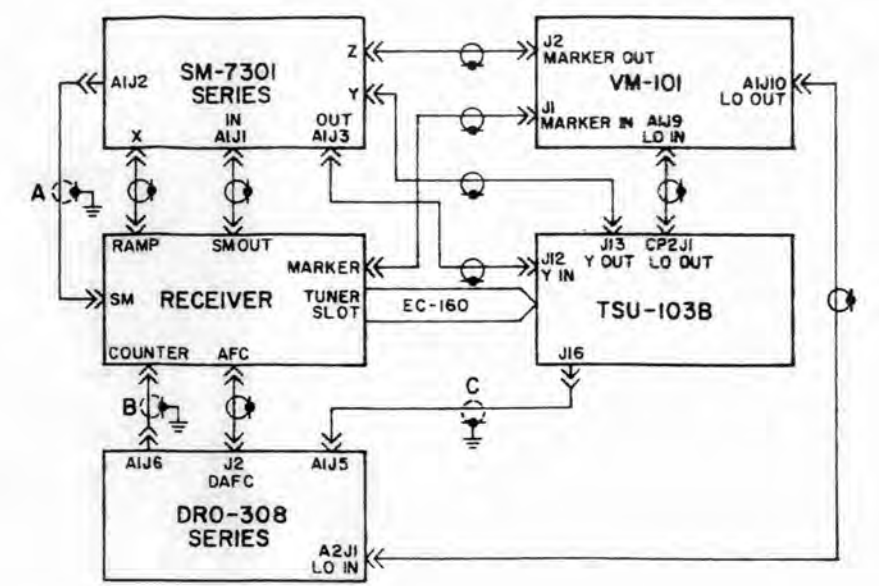
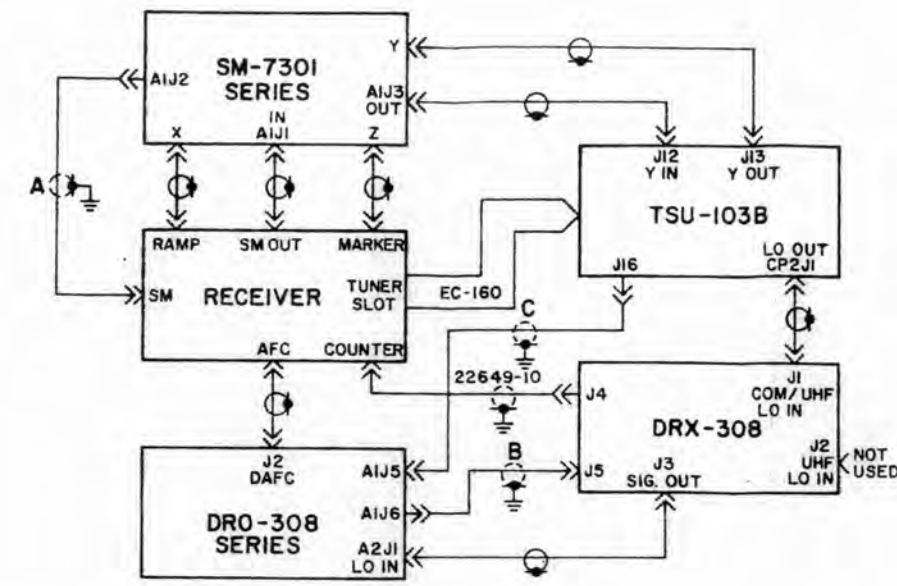
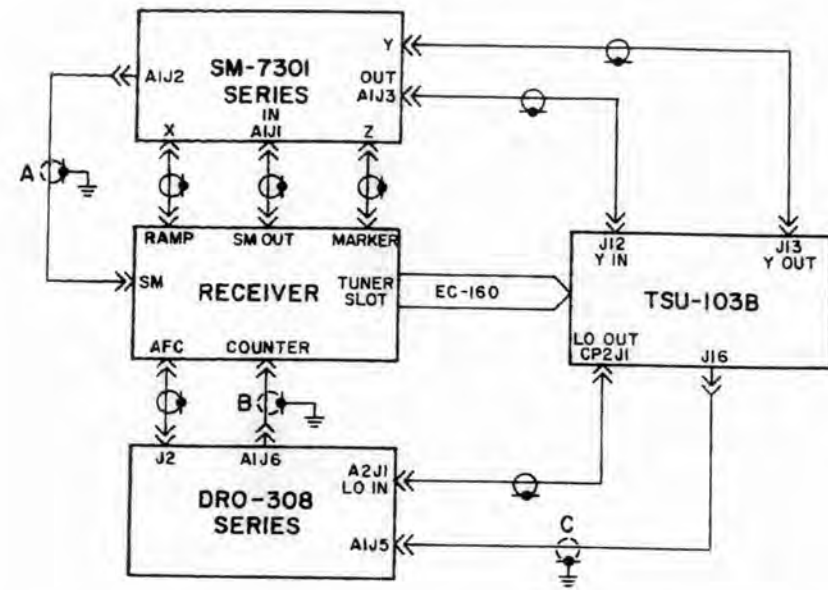


VARIABLE EQUIPMENTS	CABLE PART NOS.			
	22651-8	24152-1	23927-1	
DRO-308	B			
DRO-308A	B			
DRO-335	B			

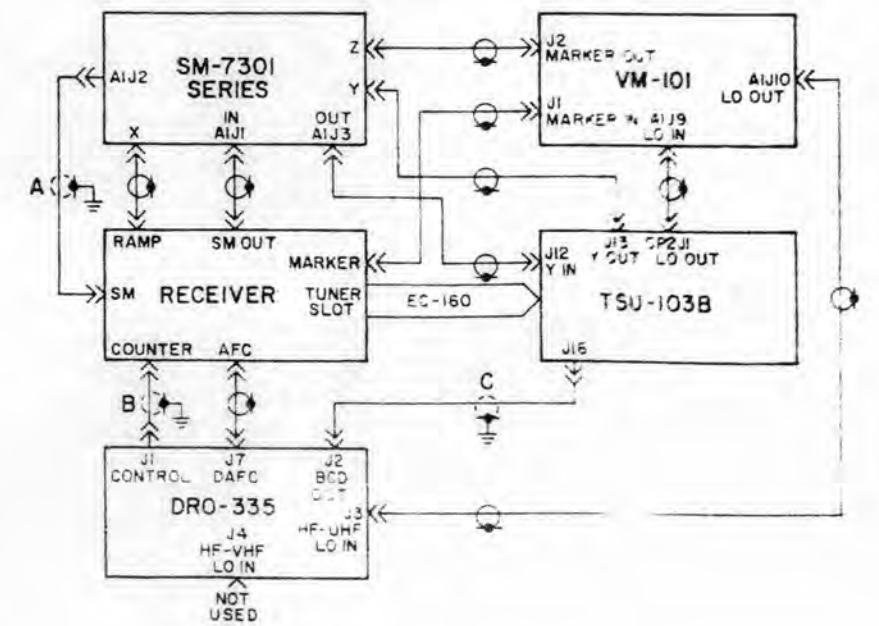
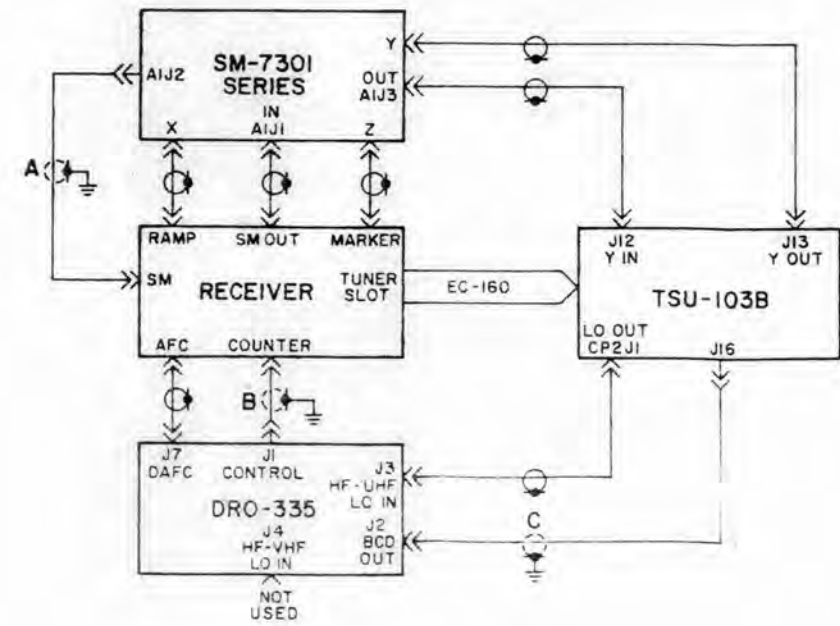
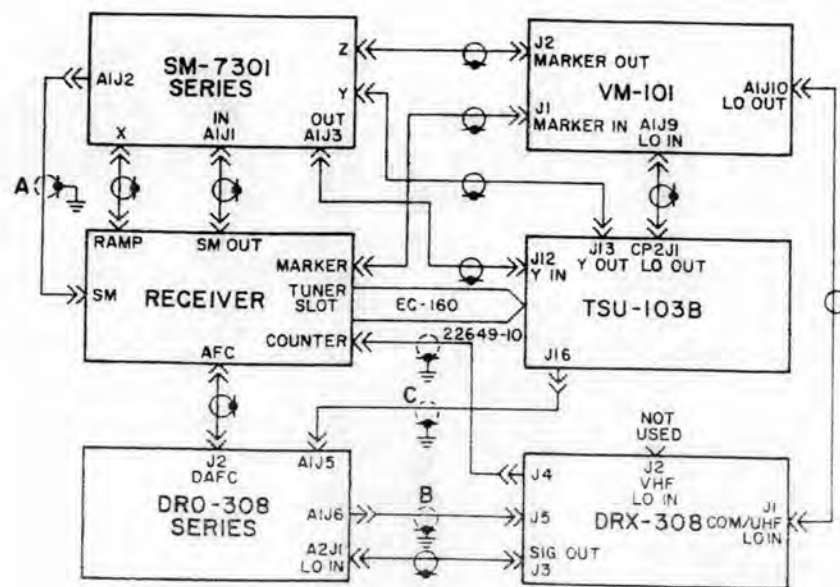


NOTES
1. ALL COAXIAL CABLES SHALL BE PART NO 17300-65

VARIABLE EQUIPMENTS	CABLE PART NOS.			
	22650-4	24153-1		
SM-730I	A			
SM-730IA	A			
SM-730IA-2	A			
SM-730IA-3	A			
SM-730IB	A			
SM-730IB-2	A			
SM-730IB-3	A			



VARIABLE EQUIPMENTS	CABLE PART NOS.			
	22651-8	24152-1	24169-1	23236-1
DRO-308	B	C		
DRO-308A	B	C		
DRO-335		C	B	



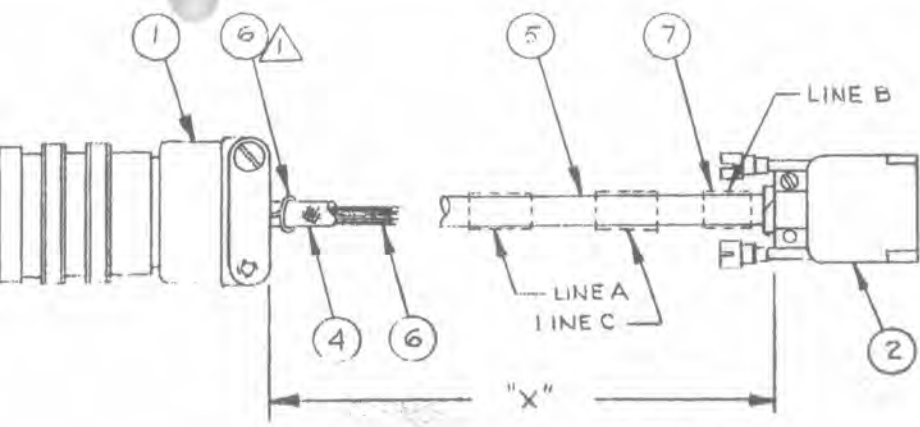
NOTES
 1 ALL COAXIAL CABLES SHALL BE PART NO 17305-64

Change 1 10/15/76

Figure 2-1D. RS-160 System Interconnection Diagrams, Sheet 4 of 4.

Courtesy of <http://BlackRadios.terryo.org>

LTR	DESCRIPTION	DATE	APPROVE
F	REVISED 5 RECD IN PER ECN #1813	10-2-72	WJ
G	REVISED 17 ITEMS PER ECN #215	10-13-72	WJ
H	ADDED -7 TO THE LIST	2-14-75	WJ
J	ADDED -8	6-30-76	WJ

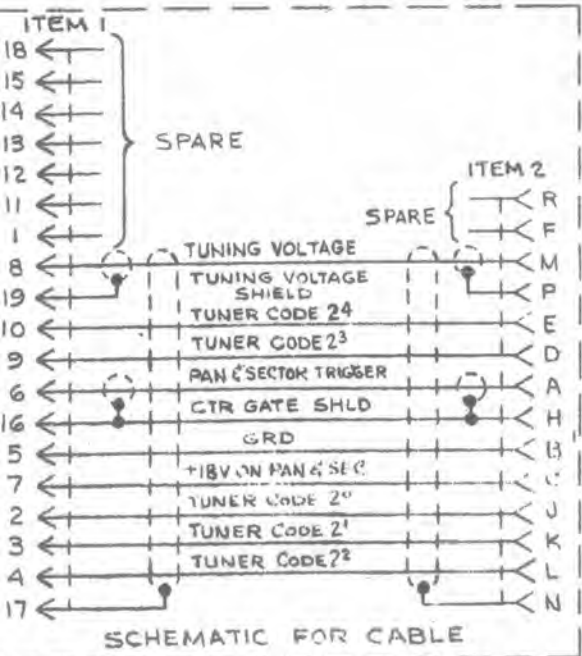


REFERENCE PRINT

PART NO	LINE A	LINE B	LINE C	"X"	"D"
22651-1	REC J10	DRO A1J6	22651-1	36.00	3
22651-2	RC101	DRO A1J6	22651-2	48.00	3
22651-3	DRX J5	DRO A1J6	22651-3	36.00	3
22651-4	REC J10	DRO A1J6	22651-4	60.00	3
22651-5	FS J5	DRO A1J6	22651-5	36.00	3
22651-6	REC J8	DRO A1J6	22651-6	36.00	3
22651-7	DRX J5	DRO A1J6	22651-7	60.00	3
22651-8			22651-8	36.00	1

NOTES:

1. SOFT SOLDER ITEM 6 TO ITEM 4 ALL AROUND (TYP BOTH ENDS)
2. USING APPROPRIATE DASH NO., MARK CHARACTERS IN WHITE .09 HIGH ON ITEM 7 PER LINES A, B & C.
3. PIN LOCATION IN ITEM 2 AS SHOWN:
4. MARKING MAY BE ACCOMPLISHED BY APPLYING REQD CHARACTERS TO SUITABLE MATL AND COVERED WITH CLEAR, HEAT SHRINKABLE TUBING.
5. AFTER CONNECTION OF ALL LEADS AND CONTINUITY CHECK, FILL HOOD WITH RTV #1 (ITEM 3)
6. SEE TABULATION BLOCK "D" FOR CORRECT QTY OF ITEM 7.

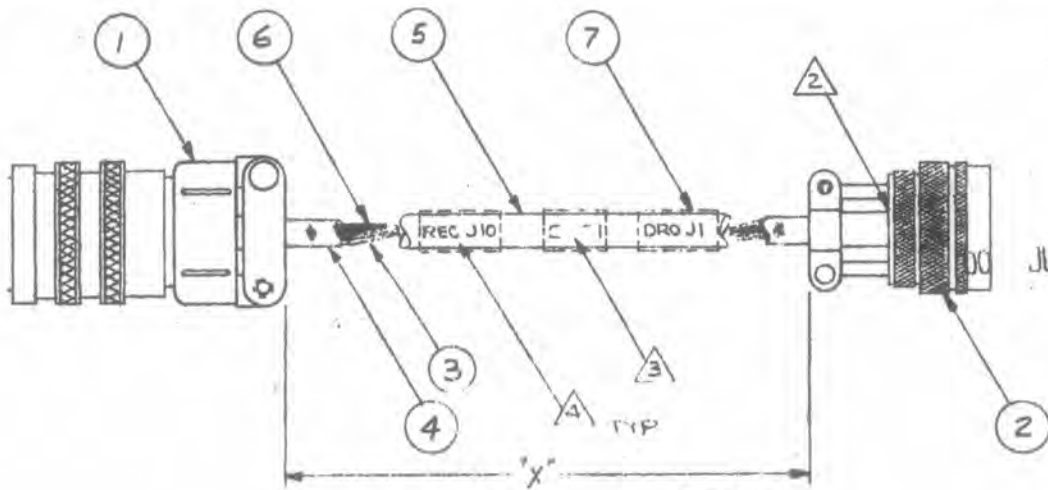


04740	15	MARKER STRIPS, SPLIT SLEEVE	7		
AR		WIRE, HOOK UP, TEFLON #22AWG	6		
AR	92194	FIT 221-3/8	5		
AR	74116	NEQ-24530 9/32	4		
AR	89949	RTV-4/1	3		
I	81312	SRE-14S-JTCHB	2		
I	11130	DS07-19P-059	1		
QTY REQD	VENDOR OR CODE IDENT	PART NO. OR IDENTIFYING NO.	NOMENCLATURE OR DESCRIPTION	NOTE	ITE FIN

UNLESS OTHERWISE SPECIFIED DIMENSIONS ARE IN INCHES
TOLERANCES ON FRACTIONS ± .50
3 PLACE DECIMALS ± .005
ANGLES ± .1
MATERIAL SEE FL
51104 DRO-308-4
51104 DRO-308
51104 RC-101
51104 RS160
NEXT ASSY USED ON
APPLICATION

CONTRACT NO.		CEI DIVISION WATKINS-JOHNSON	
DATE		HOLKVILLE, MARYLAND, U.S.A.	
PREPARED		CABLE ASSY	
CHECKED		SIZE	CODE IDENT NO.
ENGINEER		B	14632
Notice		DRAWING NO.	22651
PROPRIETARY INFORMATION		SCALE	JOB P159 SHEET
		1:1	RE

All technical information and the design disclosure in this drawing or in any accompanying technical data was originated by and is the property of Watkins-Johnson. All patent, proprietary, design, manufacturing, reproduction, use and sales rights in any information disclosed herein are reserved by W.J. No right or license to use any such information for any purpose other than as necessary for use or maintenance of W.J. products is granted by sale of any product described herein without prior written consent of W.J.



JUL 11 1974

REVISIONS			
LTR	DESCRIPTION	DATE	APPROVED
A	REL. FOR PRODUCTION	8-7-75	Wohlfeld
B	INC ECN'S 30174 & 30404	2-29-80	T. Wotkey
C	ADDED -4 THRU -7	3-10-81	R. Giff

REFERENCE PRINT

PART NO.	X DIM.
23927-1	36.00
23927-2	72.00
23927-3	108.00
23927-4	60.00
23927-5	72.00
23927-6	96.00
23927-7	144.00

Notice

PROPRIETARY INFORMATION

All technical information and the design disclosure in this drawing or in any accompanying technical data was originated by and is the property of Watkins-Johnson. All patent, proprietary, design, manufacturing, reproduction, use and sales rights in any information disclosed herein are reserved by WJ. No right or license to use any such information for any purpose other than as necessary for use in the production of the goods or services specified in this drawing or in any accompanying technical data is granted by WJ.

QTY REQD	VENDOR OR CODE IDENT	PART NO. OR IDENTIFYING NO.	NOMENCLATURE OR DESCRIPTION	NOTE	ITEM/ FIND NO.
3	59130	WJ 22AWG	WIRE, HOOK UP, REFLON 22AWG		7
AR	12515	WJ 22AWG	WIRE, HOOK UP, REFLON 22AWG		6
AR	23172	FIT221-3/8	TUBING, SHRINKABLE, BLK		5
AR	92144	12.32	FLAT BRAID 7/8" W X 1/2 AWG/4		4
AR	70903	8674-50	1/16 FLAT BRAID		3
1	77820	JTG06RE-14-185(SR)	CONNECTOR		2
1	11139	D507-19P-059	CONNECTOR		1

NOTES:

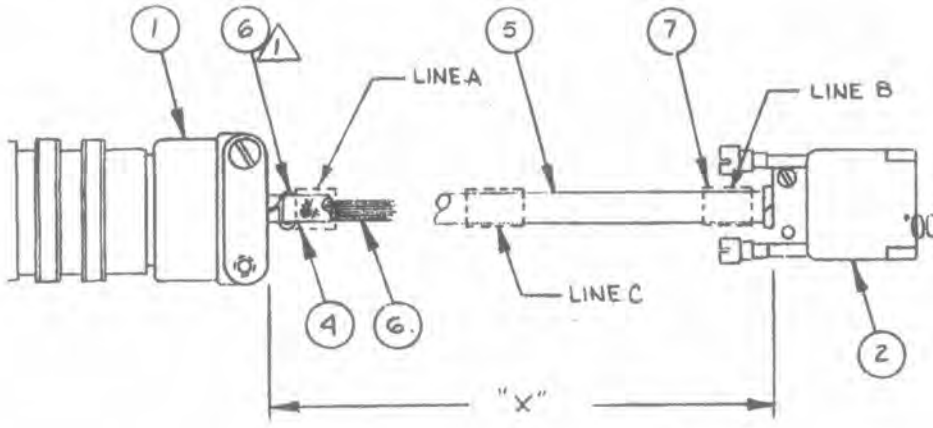
1. FABRICATION OF CABLE TO BE DONE IN ACCORDANCE WITH DWG 34010
2. SHIELDING BRAID, ITEM 4, TO BE FOLDED FLUSH TO REAR FACE OF CONNECTOR FOR MAXIMUM COVERAGE OF LEAD WIRES.
3. MARK APPLICABLE PART NO. .090 HIGH CHARACTERS.
4. MARK CHARACTERS AS SHOWN, .090 HIGH.
5. 1/16 FLAT BRAID, ITEM 3, TO BE SPIRAL WRAPPED, APPROX 1 TURN IN 9 INCHES, OVER LEAD WIRE BUNDLE ALONG ENTIRE LENGTH OF CABLE

WIRE NO.	DESCRIPTION	WIRE NO.	DESCRIPTION
2	TUNER CODE 2 ⁰	B	
7	PAN/SECTOR SELECT	C	
6	PAN/SECTOR TRIGGER	F	
16	TRIGGER SHIELD	E	
4	TUNER CODE 2 ²	M	
3	TUNER CODE 2 ¹	N	
5	POWER GROUND	R	
18	DAFC REMOTE CONTROL	U	
15		L	
11		A	
12		D	
13		H	
14		J	
17	CABLE SHIELD (1/16 FLAT BRAID-ITEM 3-REF)	G	
1	SEC MODE ON TUNER CODE 2 ⁵ (DRX335)	K	
8	TUNING VOLTAGE STORE HOLD INPUT	P	
9	TUNER CODE 2 ³ NOT USED	S	
10	TUNER CODE 2 ⁴ NOT USED	T	
19	TUNING VOLTAGE SHIELD		

UNLESS OTHERWISE SPECIFIED DIMENSIONS ARE IN INCHES TOLERANCES ON FRACTIONS & PLACE DECIMALS & .50 ANGLES	MATERIAL	FINISH
	SEE PL	
	DRO-335A-X	
	DRO-335	
NEXT ASSY	USED ON	
APPLICATION		

PARTS LIST		WATKINS-JOHNSON GAITHERSBURG, MARYLAND USA	
CONTRACT NO.		CABLE ASSY	
DATE		SIZE	CODE IDENT NO.
PREPARED	8-15-75	B	14632
CHECKED	8-6-75	DRAWING NO.	23927-1
ENGINEER	8-7-75	SCALE	SHEET
			REV

H 09202



JUL 11 19:34

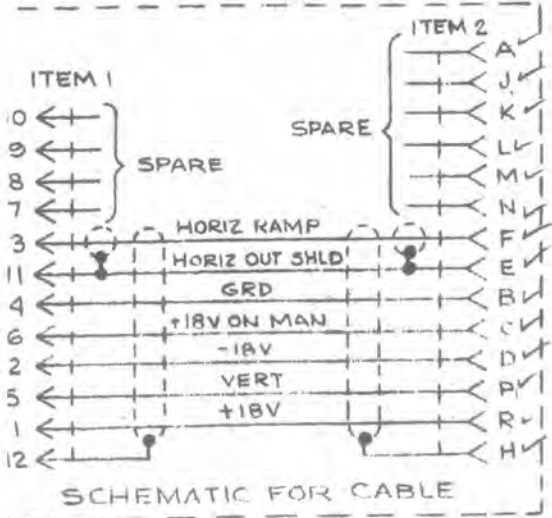
REVISIONS			
LTR	DESCRIPTION	DATE	APPROVED
C	REVISED PER ECN 11809	10-2-72	MM...
D
E	REVISED PER ECN 14959	7-11-74	...
F	ADDED -A	6-30-76	Wm Y.
G	Added -5 Per ECN 30825	2-26-81	...
H	INC. ECN 3492	5-5-81	JA

REFERENCE PRINT

PART NO	LINE A	LINE B	LINE C	"X"	"L"
22650-1	RC101 J17	SM J2	22650-1	36.00	3
22650-2	RC101 J4	SM AJ2	22650-2	48.00	3
22650-3	RC101 J17	SM J2	22650-3	60.00	3
22650-4	RC101 J17	SMA J2	22650-4	36.00	1
22650-5	RC101 J17	SMA J2	22650-5	72.00	3
22650-6	RC101 J17	SMA J2	22650-6	46.00	3
22650-7	RC101 J17	SMA J2	22650-7	48.00	3

NOTES:

- 1 REFER TO ITEM 8 FOR METHOD OF SHIELD FABRICATION.
- 2 USING APPROPRIATE DASH NO., MARK CHARACTERS IN WHITE, .09 HIGH ON ITEM 7 PER LINES A, B & C.
- 3. PIN LOCATION IN ITEM 2 AS SHOWN:
 - ^A ○
 - MALE GUIDE PIN IN ITEM 2
- 4. AFTER CONNECTION OF ALL LEADS AND CONTINUITY CHECK, FILL HOOD WITH RTV 41 (ITEM 3)
- 5 SEE TABULATION BLOCK "D" FOR CORRECT QTY OF ITEMS.



REF	QTY	VENDOR OR CODE IDENT	PART NO. OR IDENTIFYING NO.	NOMENCLATURE OR DESCRIPTION	NOTE	ITEM/FIND NO.
REF 14632		33633-1		SHIELDED CABLE FABRICATION		8
5 04740	15			MARKER STRIPS, SPLIT SLEEVE		7
AR				WIRE, HOOK UP, TEFLON #22AWG		6
AR 92194		FIT 221 -3/8		TUBING, SHRINKABLE, BLK		5
AR 74116		HEQ-24530-7/32		SHIELDING, BRAID		4
AR 39349		RTV 41		POTTING COMPOUND		3
1 81312		SRE-14S-J1C-H3		CONNECTOR		2
1 11139		DS07-12P-059		CONNECTOR		1

APPLICATION	USED ON	FINISH
51104	SM7301A-3	NONE
51104	SM7301A-2	
51104	SM7301A	
51104	SM7301	
51104	RC101	NONE
51104	RS-160	
NEXT ASSY	USED ON	

CONTRACT NO.		CEI DIVISION	
		WATKINS-JOHNSON	
		ROCKVILLE, MARYLAND U.S.A.	
DATE		CABLE ASSY	
PREPARED BY	9-12-72	SIZE	CODE IDENT NO.
CHECKED BY	10-2-72	B	14632
ENGINEER		DRAWING NO.	22650
SCALE 1:1		Job 1559	SHEET
			REV

Proprietary Information

Notice: All information and the design disclosure in this drawing or in any accompanying technical data was originated by and is the property of Watkins-Johnson. All patent, proprietary, design, manufacturing, reproduction, use and sales rights in any information disclosed herein are reserved by W.J. No right or license is granted for any purpose other than that for which such information is furnished.