

May 1995

# Multi-receiver Front Panel WJ-9607



## Description

The WJ-9607 Multi-receiver front panel is a self-contained, detached unit used with *Minicaptor* Receivers, or certain other units, via the WJ Receiver Net. It consists of a front panel, a WJ Receiver Net interface, a host interface, and a Hewlett Packard Interface Loop (HPIL) that controls one to 29 HPIL-equipped *Minicaptor* Receivers. The compact chassis is powered by an external 12-Vdc user-supplied source. Input/Output (I/O) connectors are on a rear-panel shelf. This unit is supplied with a tilt stand. The front panel consists of:

- 8-line by 40-character, backlit, supertwist LCD
- Numeric keypad
- Parameter adjust encoder
- Tuning encoder
- Softkeys

An operator controls the unit from the softkeys and LCD panel. The softkeys along the left side of the display allow menu selection, while the keys under the display allow function selection on the current menu. The keypad and encoder then become connected to the current selected function.

## Features

- Control for multiple WJ-8607, WJ-8607A, WJ-8609A, or WJ-8809/HPIL Receivers
- Control of other receivers via WJ Receiver Net (WJ-8700)
- Host interface, to Minicaptors (IEEE-488, RS-232C, RS-422A)
- WJ Receiver Net Interface for Minicaptors
- Operator audio from the controlled receiver

### WATKINS-JOHNSON COMPANY

700 Quince Orchard Road, Gaithersburg, Maryland 20878-1794  
Phone: (800) WJHELPS or +(301) 948-7550  
FAX: +(301) 921-9479 Email: [wj.helps@wj.com](mailto:wj.helps@wj.com) Website: [www.wj.com](http://www.wj.com)

All International sales of WJ equipment are subject to USA export license approval. This material provides up-to-date general information on product performance and use. It is not contractual in nature, nor does it provide warranty of any kind.

The WJ-9607 includes menus based on operations:

- **SELECTION** -- allows the operator to select the device for control.
- **MANUAL** -- permits control of the receiver while in the manual, fixed-frequency operational mode
- **MEMORY** -- allows editing of receiver memory channels off line of the currnt receiver operation
- **SWEEP** -- permits control of the receiver sweep mode
- **STEP** -- allows control of the receiver step mode
- **LOCKOUT** -- allows editing of the receiver lockout memory
- **CONFIGURATION** -- used to set up I/O configuration

The WJ-9607 supports one host interface (either IEEE-488, RS-422A, or RS-232C) that includes a WJ

Receiver Net interface. An operator can control *Miniceptor* Receivers connected by the HPIL by an external device using the host interface. The unit accepts commands and queries from the host interface, and routes them to the receivers on the HPIL. It then returns the responses to the host interface.

The WJ Receiver Net interface allows other WJ Receiver Net-compatible controlling devices access to receivers connected to the HPIL. WJ Receiver Net controlling devices include the WJ-8700 Receiver, WJ-9902 Equipment Frame with front panel, or WJ-9605 Front Panel Unit.

The WJ-9607 itself may also act as a WJ Receiver Net controller for the WJ-8700 or *Miniceptor* Receivers. This is possible by using the WJ-9902 or WJ-9908 Equipment Frames with host interfaces. The WJ-9607 also provides audio routing for the operator headset via the receiver's Selected Audio Output (SAO) signal.

## Specifications

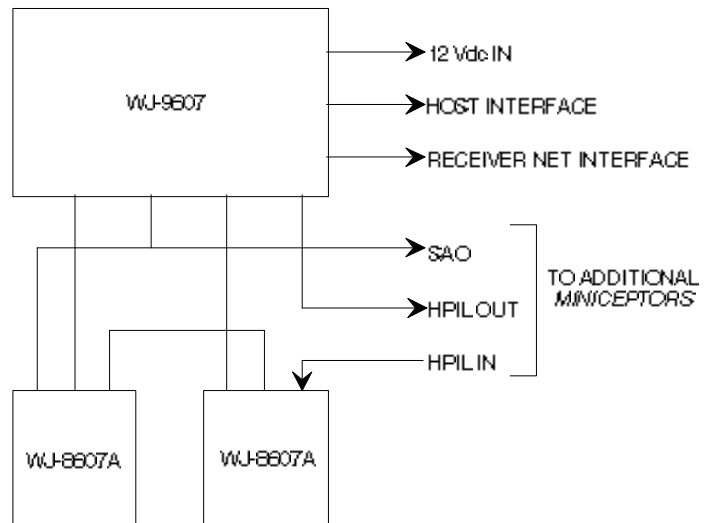
### Interfaces

Host .....	RS-232C, RS-422A, or IEEE-488 (specify when ordering)
Receiver .....	HPIL control of 1 to 29 <i>Miniceptor</i> Receivers
Net .....	Receiver selected audio input RS-485 for net control or net access to HPIL-connected receivers
Headphone .....	Amplified output from selected receiver
<b>Operating Temperature</b> .....	0 to +50°C
<b>Power Requirements</b> .....	10 to 14 Vdc
<b>Power Consumption</b> .....	<8 W at 12 Vdc

### Weights & Dimensions

Height	Width	Depth	Weight
3.5 in (8.89 cm)*	8.3 in (21.08 cm)	4.4 in (11.17 cm)*	3.0 lbs (1.35 kg)*

\*Excluding knobs and connectors



**Figure 1. WJ-9607 with *Miniceptor* Operation**