

# Technical Data



WATKINS-JOHNSON

October 1996

## VHF/UHF Receiver Miniceptor WJ-8607



The WJ-8607 is a small, lightweight VHF/UHF receiver designed for limited space applications. Its compact size (105 cubic inches) and flexible capabilities with both remote and handoff interfaces, provide a multitude of independent and systems applications. The WJ-8607 features the high dynamic range, low phase noise, multiple detection modes, and excellent selectivity of larger receivers.

The fully synthesized, low phase noise local oscillators (LO) provide accurate tuning over the basic range of 20 to 512 MHz. The tuning range is extendible to 2000 MHz with a Frequency Extender (FE) option. Although the receiver is designed for VHF/UHF operation, tuning to 2 MHz provides a solution for applications where modest HF performance is acceptable. Three IF bandwidths (IFBW) are standard. Space is provided for two additional bandwidths. A wide selection of IF filters are available ranging from 3.2 kHz to 8 MHz. As an added feature, the IF filters may be bypassed, yielding a bandwidth of approximately 12 MHz. The WJ-8607 demodulates AM, FM, CW, and Pulse type signals. Optional Single Sideband (SSB) detection provides upper or lower sideband demodulation in a 3.2-kHz bandwidth without sacrificing any of the five available IFBW positions. A synchronous detector is used for the AM demodulator, which yields a more linear transfer function than traditional techniques.

### Features

- ❑ 20 to 512 MHz frequency range (2 to 2000 MHz with FE)
- ❑ High dynamic range tracking preselector (20 to 512 MHz with 10% nominal bandwidth)
- ❑ Low phase noise
- ❑ Sweep, Step & Lockout, with channel occupancy
- ❑ Small size: 1.5 x 6.5 x 10.5 in (3.81 x 16.51 x 26.67 cm)
- ❑ Modular construction: 4 circuit boards using SMT
- ❑ Low power: 16 W
- ❑ Light Weight: 5.5 lbs (2.48 kg)
- ❑ High linearity demodulators
- ❑ Self-test of power supply & synthesizer operation
- ❑ Tunable IF output frequency

HEIGHT 1.5 in (3.81 cm) DEPTH 10.5 in (13.5 with FE) (26.67 cm)  
WIDTH 6.5 in (16.51 cm) WEIGHT 5 lbs\* (2.26 kg)

\*(Additional with FE Option)

#### WATKINS-JOHNSON COMPANY

700 Quince Orchard Road, Gaithersburg, Maryland 20878-1794  
Phone: (800) WJHELPS or +(301) 948-7550  
FAX: +(301) 921-9479 Email: [wj.helps@wj.com](mailto:wj.helps@wj.com) Website: [www.wj.com](http://www.wj.com)

All International sales of WJ equipment are subject to USA export license approval. This material provides up-to-date general information on product performance and use. It is not contractual in nature, nor does it provide warranty of any kind.

WJ-8607

---

The WJ-8607 achieves an outstanding third-order intercept point of +6 dBm, while maintaining a typical noise filter of only 8 dB. A built-in tracking preselector with a nominal bandwidth of 10 percent reduces the interference caused by out-of-band signals.

The receiver is equipped with two IF outputs. The signal monitor output provides nominally 12 dB of gain above the RF input with a 10-MHz bandwidth. An optional wideband output, provides a leveled -30 dBm output. The selected IFBW output provides a sample of the predetected 21.4-MHz IF at a level of -30 dBm.

Two unique features of the WJ-8607 are its translated IF output and switched audio output. The translated IF output allows the operator to translate the 21.4-MHz IF down to an IF output with a maximum center frequency of 2 MHz. When enabled, the translated IF is routed to the video output jack, in lieu of the normal detected video signal. The switched audio output allows multiple audio signals, from similar sources, to be bused together to a common point for selection.

## Modes of Control

The WJ-8607 contains two I/O interfaces for control and data analysis operations. The Hewlett-Packard Interface Loop (HPIL) is a low power, interruptible, and addressable serial interface supported by many controlling devices, such as various personal computers. All receiver operations may be controlled or queried via the HPIL. This interface supports control of sweep, step, manual, memory, and data collection operations. The collected queue of signal activity is available on command via the HPIL.

A asynchronous serial interface operates as a dedicated handoff bus or as a full-duplex RS-232 interface. When operated as a handoff bus, the serial interface accepts manual handoff commands, such as frequency, detection mode or bandwidth, from a WJ-8615P Receiver. A single handoff network of up to 30 WJ-8607s and WJ-8615Ps allows multiple

system configurations. The handoff bus can be operated in conjunction with the HPIL to form a highly versatile operating system. With a simple switch change, the serial interface bus is configurable for operation in full-duplex RS-232 mode at a data rate of up to 9600 baud. In this configuration, the RS-232 interface supersedes use of the HPIL. A special cable, supplied with the RS-422A option, converts the RS-232C levels and signals to RS-422A.

## Capabilities/Applications

The WJ-8607 uses a Motorola 68HC11 Microcontroller, which controls receiver functions such as AGC, AFC, synthesizer tuning, and remote interface. The receiver provides three basic modes of operation:

- MANUAL (fixed-frequency operation)
- SWEEP (contiguous coverage from start-to-stop frequency)
- STEP (preprogrammed discrete frequencies)

The WJ-8607 is interactive in all of its modes and alerts the host computer of signal activity. While in either the SWEEP or STEP mode of operation, the receiver logs individual signals in the coverage area and reports only changes in signal presence to the host computer. This capability greatly reduces overhead time required by the host computer; since it eliminates the need to sort data from each receiver sweep, and to determine which signals are new and which are repeats. In SWEEP mode, the receiver locks out portions of the RF spectrum, and excludes previously identified portions of the spectrum from the coverage area. Non-volatile memory provides storage of up to 100 SWEEP or STEP setups, and 200 lockout bands.

Application solutions requiring high dynamic range, low power, and portable surveillance subsystems are easily built using the WJ-8607. The small size and low weight are particularly attractive when configuring manportable systems. This receiver is also well-suited for applications where low EMI/RFI emissions are important.

## Functional Description

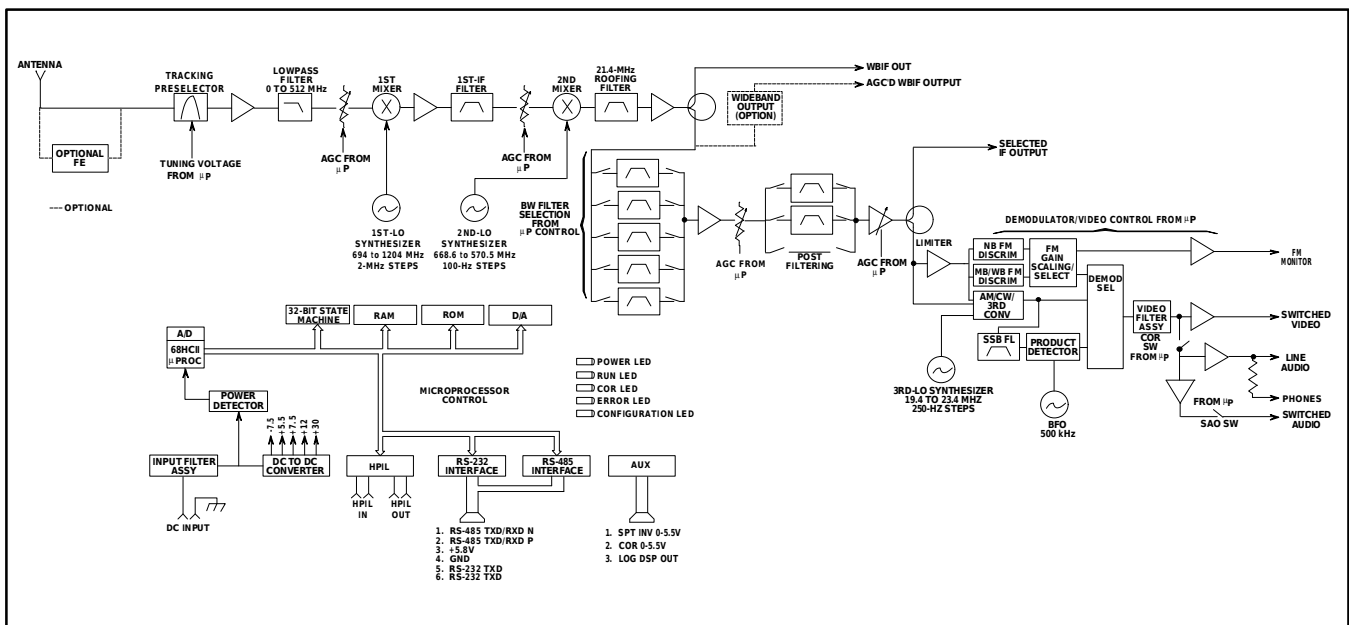
As shown in the Block Diagram, an RF input signal passes through a voltage-tuned tracking preselector that rejects out-of-band signals, thus improving the second-order intercept point of the receiver. The bandwidth of the preselector is nominally 10 percent from 20 to 512 MHz. When the frequency extender is used with the unit, signals in the 512 to 2000 MHz range are filtered with suboctave filters and converted to the VHF range in 10 bands. After the input signal is filtered, it passes through an RF amplifier and low-pass filter before entering the first mixer, where it is mixed with the first LO and upconverted to 691 MHz.

The first LO tunes from 694 to 1204 MHz in 2-MHz steps. The upconverted IF signal at 691 MHz is amplified and filtered before it enters the second mixer. Here it is mixed with the second LO, which tunes from 668.6 to 670.6 MHz in 100-Hz steps. The output from the second mixer is centered at 21.4 MHz, and is filtered and amplified before entering the switchable IFBW filters. A sample of the prefiltered

signal is provided for the signal monitor or optional wideband output.

The WJ-8607 can have up to five IF bandwidths installed. The fifth IF position requires a bandwidth of 250 kHz or greater. An additional feature permits the bypassing of IF filters on command, allowing total determination of the bandwidth by the tracking preselector, first IF filter, and final IF roofing filter. With a simple control command, the tracking preselector is also bypassed. This feature is particularly desirable when relatively wide bandwidths are required at a low-tuned frequency.

After the signal is filtered in the selected IF filter, it passes through several stages of IF amplification and gain control. A sample of the bandlimited IF signal is provided at -30 dBm. Synchronous detectors, which provide highly linear and stable performance, accomplish AM and FM detection. A final conversion to 500 kHz provides SSB detection. The optional SSB detector includes a high-selectivity 3.2-kHz-wide filter for good adjacent channel rejection.



WJ-8607 Receiver Simplified Block Diagram

WJ-8607

Specifications

|  |   |
|--|---|
| <b>Frequency Range</b> .....                 | 20 to 512 MHz (2000 MHz with FE option)<br>Tuning allowed to 2 MHz  |
| <b>Tuning Resolution</b> .....               | 100 Hz, synthesized   |
| <b>Internal Reference Accuracy</b> .....     | ±1 part in 10E -6 (0 to 50°C)   |
| <b>External Reference Frequency</b> .....    | Selectable, 1, 5 or 10 MHz; 0-dBm nominal input level   |
| <b>Detection Modes</b> .....                 | AM, FM, CW & Pulse standard (SSB optional)  |
| <b>RF Input Impedance</b> .....              | 50 ohms, nominal  |
| <b>Preselection</b> .....                    | Tracking Preselector, 20 to 512 MHz<br>10% nominal bandwidth with bypass mode<br>(5 suboctave filters, 12 to 2000 MHz)                      |
| <b>Input VSWR</b> .....                      | 2.0:1, typical<br>3.0:1, max at the tuned frequency   |
| <b>Noise Figure</b> .....                    | 12 dB, max (20 to 512 MHz with Preselector on)<br>8 dB, typical (5 to 512 MHz with Preselector off)<br>15 dB, max (512 to 2000 MHz with FE) |
| <b>Intermodulation:</b>                      |   |
| <b>2nd-order Intercept Point</b> .....       | +45 dBm (20 to 512 MHz with Preselector on)<br>+35 dBm (512 to 2000 MHz)  |
| <b>3rd-order Intercept Point</b> .....       | +6 dBm (20 to 512 MHz with Preselector on)<br>0 dBm (512 to 2000 MHz)<br>+5 dBm, typical (2 to 20 MHz)                                      |
| <b>Image Rejection</b> .....                 | 80 dB, min<br>90 dB, typical  |
| <b>IF Rejection</b>                          |   |
| 21.4 MHz .....                               | 90 dB, min above 30 MHz   |
| 691 MHz .....                                | 90 dB, min with Preselector on  |
| <b>FE IF Rejection (Variable)</b> .....      | 75 dB, min with FE  |
| <b>LO Phase Noise at 20-kHz Offset</b> ..... | -100 dBc/Hz (20 to 512 MHz)<br>-98 dBc/Hz (512 to 2000 MHz)   |
| <b>Synthesizer Tuning Speed</b> .....        | 12 msec, max (from receipt of the last data byte<br>to within 10 kHz of the final frequency)  |
| <b>Signal Monitor Output</b> .....           | Nominally 12 dB above RF input<br>(WBO provides -30 dBm leveled)  |
| <b>Gain Control Modes</b> .....              | Manual, automatic, 100-dB min range   |
| <b>AM Stability</b> .....                    | 6 dB, max change from AGC threshold to 100 dB<br>above AGC threshold (-5 dBm, max input)  |
| <b>Internally Generated Spurious</b> .....   | <-110 dBm equivalent input (20 to 2000 MHz)   |
| <b>LO Level at RF Input</b> .....            | -100 dBm, typical<br>-90 dBm, max   |
| <b>Switched Video Output</b> .....           | 0.5 V peak-to-peak into 50 ohms (30% deviation in FM<br>or 50% AM modulation)   |
| <b>Video Frequency Response</b> .....        | dc to 1/2 the IFBW, -3 dB   |
| <b>Line Audio Output</b> .....               | 5 mW, min into 32 ohms  |
| <b>Headphone Output</b> .....                | 5 mW, min into 32 ohms  |
| <b>Switched Audio Output</b> .....           | 400 mV rms into 600 ohms  |
| <b>Audio Frequency Response</b> .....        | 200 Hz to 15 kHz, min   |

|  |   |
|--|---|
| <b>FM Monitor Output</b> .....               | 0.5 V peak-to-peak with 30% FM deviation, dc-coupled, 100-kHz max bandwidth, 10K-ohm load   |
| <b>Ultimate FM S+N/N</b> .....               | 40 dB, min (in a 50-kHz bandwidth)  |
| <b>Reciprocal Mixing</b> .....               | With an input at rated sensitivity level in 20-kHz bandwidth, an out-of-band signal 350-kHz removed, and 70-dB higher in level will not degrade the S+N/N of the desired signal by more than 3 dB |
| <b>Selected IF Output</b> .....              | Centered at 21.4 MHz, -30 dBm nominal output level  |
| <b>IFBW's</b> .....                          | 5 plus bypass mode (3 supplied & 2 optional); See IF Shape Factors for selection  |
| <b>IF Shape Factor</b> .....                 | See IF Shape Factors  |
| <b>Translated IF Output</b> .....            | 2-MHz, max center frequency<br>Output on the selected video jack<br>Suitable for predetection recording   |
| <b>COR/Squelch</b> .....                     | Adjustable for 0 to 55 dB above the noise floor of the selected bandwidth   |
| <b>Power Requirements</b> .....              | 12 Vdc (+9 to 16 Vdc)   |
| <b>Power Consumption</b> .....               | 16 W, nominal (20 to 512 MHz); add 4 W for FE   |
| <b>Remote Interface</b> .....                | HPIL or RS-232C<br>HPIL & RS-232 are switch-selectable<br>Supports only 1 interface at a time   |
| <b>Handoff Interface</b> .....               | Operates in conjunction with HPIL interface<br>Compatible with WJ-8615P receiver  |
| <b>Maximum RF Input Without Damage</b> ..... | +20 dBm   |

Environmental Specifications

|  |   |
|--|---|
| <b>Receiver Case Temperature</b>           |   |
| <b>Operating Temperature Range</b> .....   | -25 to +55°C, see Typical Performance Graphs for typical performance  |
| <b>Full Specification Compliance</b> ..... | +20 to +30°C  |
| <b>Non-operating</b> .....                 | -40 to +70°C  |
| <b>Shock</b> .....                         | Meets the environmental conditions of MIL-E-5400T, paragraph 3.2.24.6.1 pertaining to equipment shock   |
| <b>Vibration</b> .....                     | Meets the environmental conditions of MIL-STD-810D, method 514.3, section I-3.2.4, category 4—propeller aircraft. Figure 514.3-25(a) defines the power spectral density with $L_i = 0.3$ (g <sup>2</sup> /Hz) and $F_i = 68$ Hz |
| <b>Humidity</b> .....                      | Meets the environmental conditions of MIL-STD-810D Method 507.2 with optional environmental upgrade   |

WJ-8607

IF Shape Factors

| Bandwidth (kHz)    | Shape Factor 60:3 dB BW | Sensitivity (dBm)* 20 to 512 MHz |
|--------------------|-------------------------|----------------------------------|
| 3.2 <sup>3**</sup> | 3:1                     | -107                             |
| 6.4 <sup>**</sup>  | 3:1                     | -105                             |
| 10 <sup>**</sup>   | 3:1                     | -104                             |
| 20 <sup>**</sup>   | 3:1                     | -101                             |
| 50 <sup>**</sup>   | 3:1                     | -97                              |
| 75 <sup>**</sup>   | 3:1                     | -95                              |
| 100 <sup>**</sup>  | 3:1                     | -94                              |
| 250                | 4:1                     | -90                              |
| 300                | 4:1                     | -89                              |
| 500                | 4:1                     | -87                              |
| 1000               | 4:1                     | -84                              |
| 2000               | 4:1                     | -81                              |
| 4000               | 4:1                     | -78                              |
| 8000               | 4:1                     | -75                              |

\*Sensitivity Conditions: Based on 20 to 512 MHz receiver. Add 4 dB for FE.

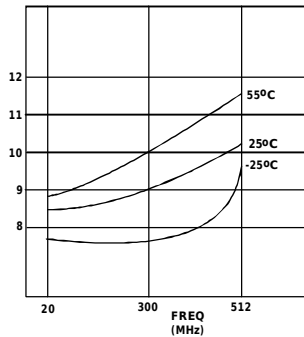
AM—An input signal AM modulated 50% by a 1-kHz tone produces a minimum video output S+N/N ratio of 10 dB.

FM—An input signal FM modulated at a 1-kHz rate with a peak deviation equal to 30% of the selected IF BW produces a minimum video output S+N/N ratio of 17 dB. (Note: IF bandwidths of 10 kHz or less required a 400-Hz modulation rate.)

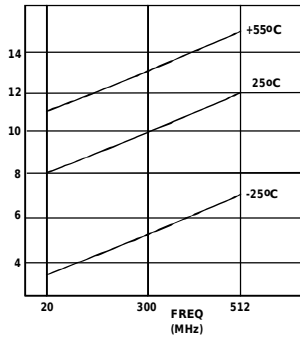
\*\*This IF filter cannot be used in the 5th bandwidth position.

<sup>3</sup>With the 3.2-kHz bandwidth, the audio and video outputs are 6 dB less than published specifications.

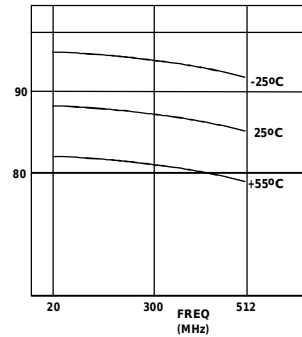
TYPICAL NOISE FIGURE (dB)



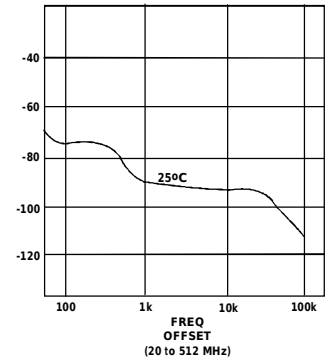
TYPICAL 3IP (dBm)



TYPICAL GAIN SW IF (dB)



TYPICAL PHASE NOISE (dBc/Hz)



Typical Performance Graphs

Options

| Nomenclature                                     | Function  | Physical Characteristics   |
|--|---|--|
| <b>8607/ENV</b><br>Environmental                 | <ul style="list-style-type: none"> <li>• Meets MIL-STD-810D Method 507.2, Humidity</li> </ul>   | <ul style="list-style-type: none"> <li>• Conformally coated</li> </ul>   |
| <b>8607/FE</b><br>Frequency Extender             | <ul style="list-style-type: none"> <li>• Extends UHF tuning range from 512 to 2000 MHz by block-converting 10 bands of the RF spectrum above 512 MHz into the normal tuning range</li> </ul>  | <ul style="list-style-type: none"> <li>• Adds 2.85 in (7.23 cm) to length of basic WJ-8607 Receiver</li> <li>• Additional PC assemblies:                             <ul style="list-style-type: none"> <li>- 5-band oscillators</li> <li>- RF converter with suboctave preselectors</li> </ul> </li> </ul>                                    |
| <b>8607/IFBW</b><br>IF Bandwidth                 | <ul style="list-style-type: none"> <li>• Up to 5 IF Bandwidths</li> </ul>   | <ul style="list-style-type: none"> <li>• 3 IFBW standard</li> <li>• Additional 2 BWs optional</li> <li>• 5th IF Filter must be 250 kHz or greater</li> <li>• See IF Shape Factors for available bandwidth choices</li> </ul>   |
| <b>8607/SSB</b><br>Single Sidband                | <ul style="list-style-type: none"> <li>• Converts IF Signal From 21.4 MHz to 500 kHz for Filtering &amp; Demodulation</li> <li>• Allows Demodulation of upper or lower sideband signals</li> </ul>  | <ul style="list-style-type: none"> <li>• For Optimum SSB Operation, at least one of the five IF filters should be between 10 &amp; 20 kHz</li> </ul>   |
| <b>8607/WBO</b><br>Wideband Output               | <ul style="list-style-type: none"> <li>• Provides a -30 dBm Output Level at 21.4 MHz (minimum bandwidth of 8 MHz)</li> </ul>  | <ul style="list-style-type: none"> <li>• Mounts inside chassis</li> <li>• Eliminates Signal Monitor output</li> </ul>  |
| <b>8607/MCS-1</b><br>Miniceptor Control Software | <ul style="list-style-type: none"> <li>• Provides applications software for:                             <ul style="list-style-type: none"> <li>- Receiver control/RF Pan display</li> <li>- Mnemonic control</li> <li>- Quick, reset/flush receiver operations</li> <li>- Missions storage/retrieval</li> <li>- Sweep data logging</li> <li>- Sweep data analysis</li> </ul> </li> </ul> | <ul style="list-style-type: none"> <li>• MS-DOS*-based application software</li> <li>• Requires as a minimum:                             <ul style="list-style-type: none"> <li>- 386/16-MHz PC</li> <li>- EGA, VGA, or SVGA monitor</li> <li>- Com port</li> </ul> </li> <li>• Supplied on 5.25-in &amp; 3.5-in disks with manual</li> </ul> |

\*MS-DOS is a trademark of Microsoft Corporation

WJ-8607

Receiver Connectors

| I/O    | Function   | Type   |
|--------|--|--|
| Input  | Antenna<br>External Reference Input<br>DC Input  | SMA<br>SMB<br>Multipin   |
| Output | Selected Video Output<br>FM Monitor Output<br>Signal Monitor Output of Optional WBO<br>Selected 21.4-MHz IP Output<br>Switched Audio Output<br>Line Audio Output<br>Phone Output | SMB<br>SMB<br>SMB<br>SMB<br>SMB<br>SMB<br>1/8-in Miniature Stereo Jack |
| Other  | HPIL Input/Output<br>Serial Control Input/Output   | Multipin<br>Multipin   |

Receiver LED Indicators

| LED Code     | Action Indicated   |
|--------------|--|
| <b>RUN*</b>  | Active microprocessor  |
| <b>COR</b>   | Presence of a signal over COR threshold  |
| <b>ERR</b>   | Functional error   |
| <b>CFG</b>   | Operating in the configuration mode (non-operational mode for downloading IF bandwidth & options configurations into memory) |
| <b>Power</b> | dc power present   |